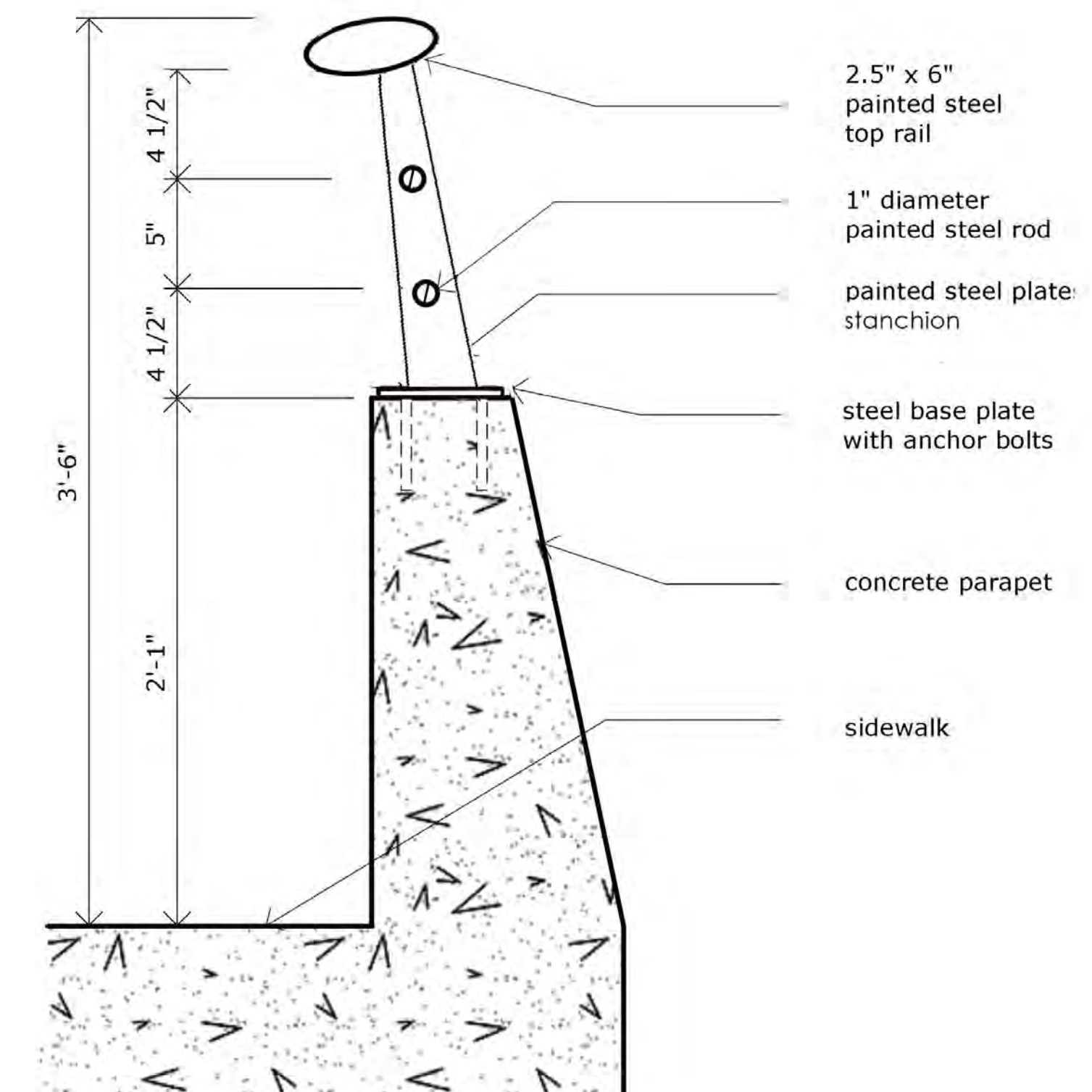


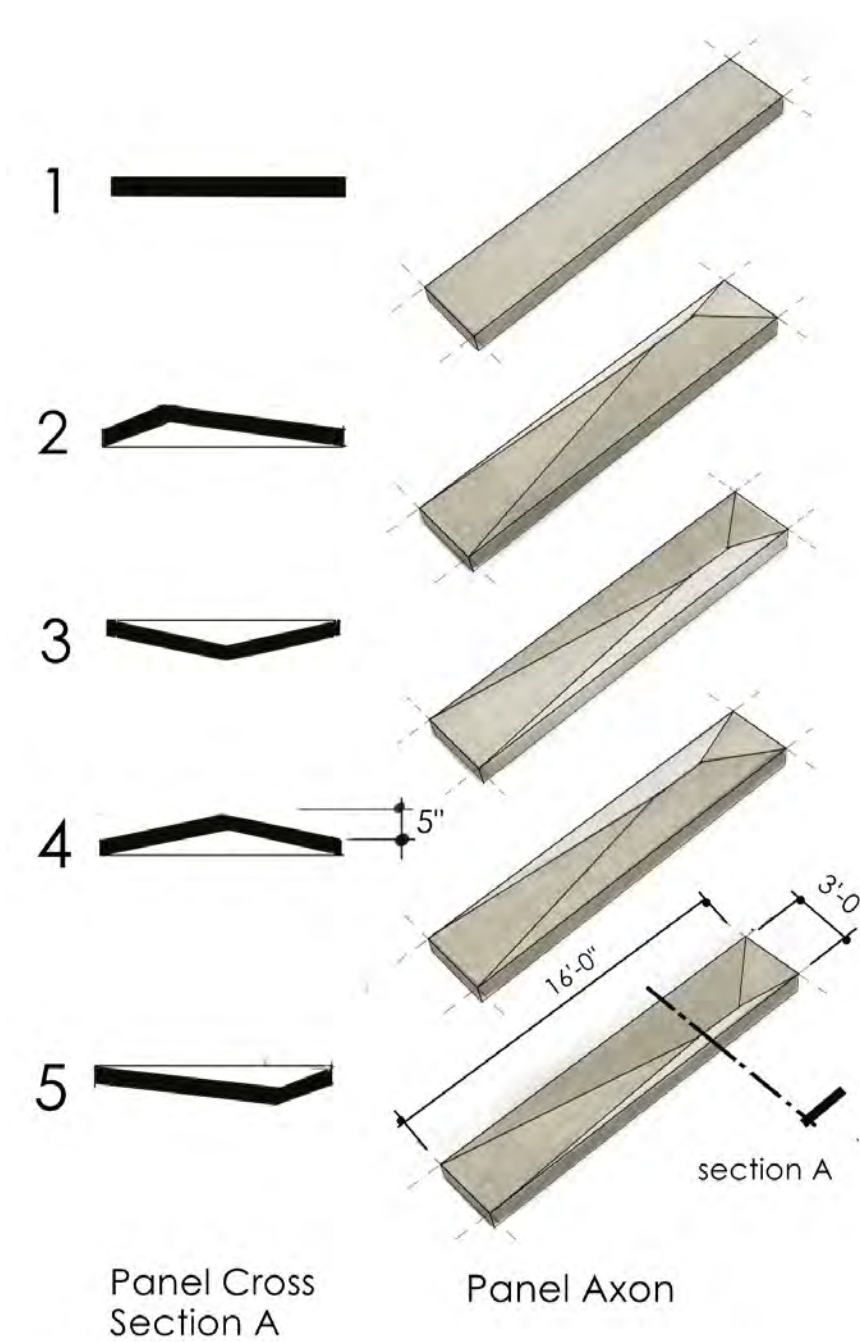
Architectural Elements: Wall Treatment and Railings



Fencing- Looking East From Water Street



Railing Section



Walls: Precast Concrete Modular Panel System



Perspective from Water Street

